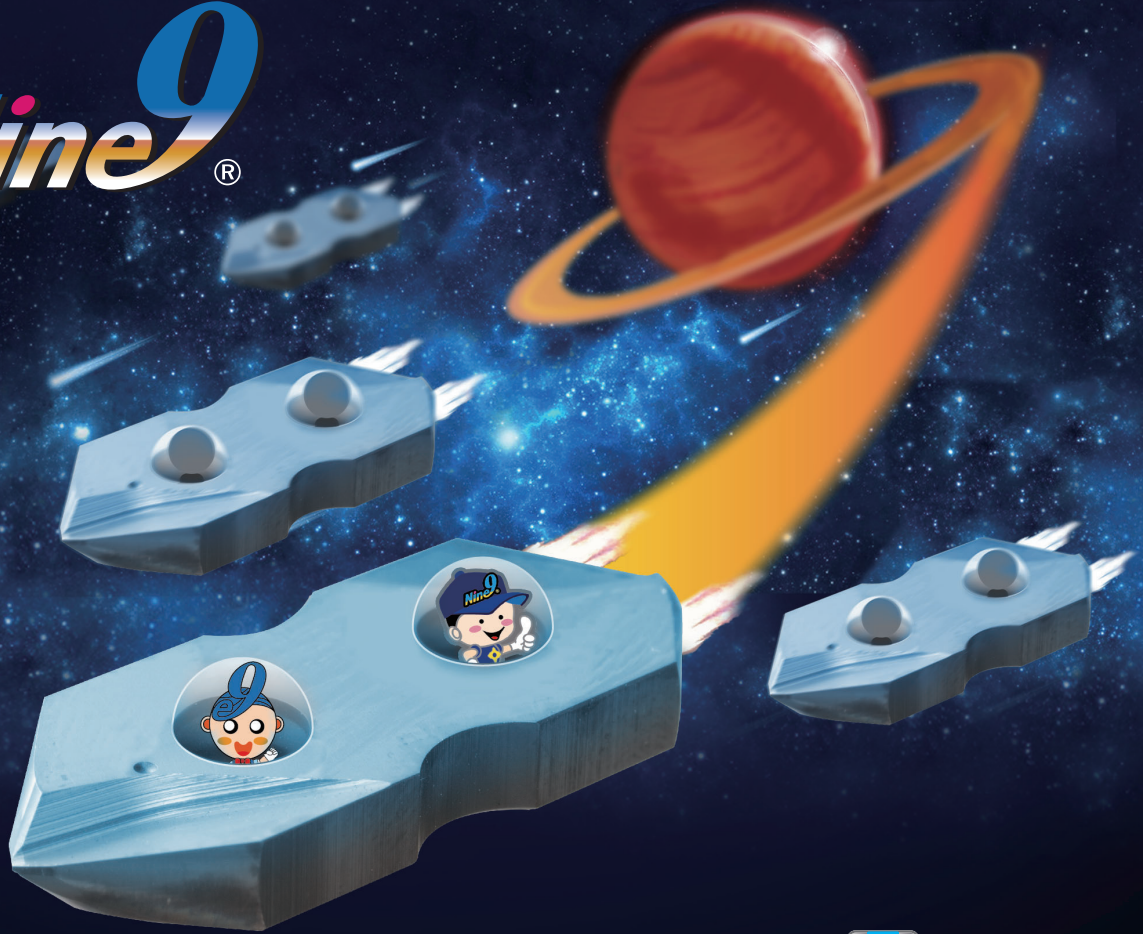


Nine9®



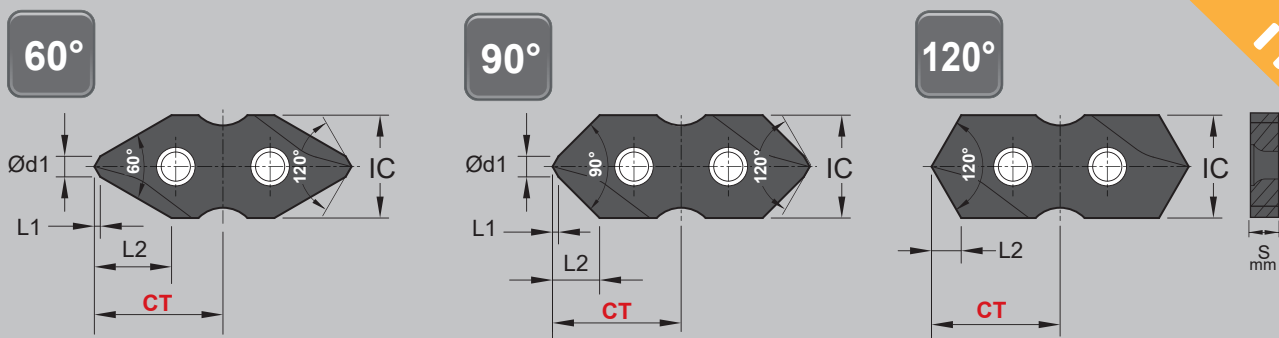
ACE Spot Drill **Countersink & Chamfering**

5 Sizes: Ø8mm~Ø20mm
60° / 90° / 120°

- High rigidity, HPC high performance cutting, ultra-long tool life.
- Dual clamping screwed design ensures the vibration free during the cutting.
- 2 flutes edged is symmetric, it reduces the lateral force while cutting in A_p .
- Good for use on CNC lathe, Swiss type machine, small machine and weak clamping situation.

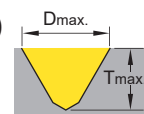


**NEW
ITEM**



► Insert

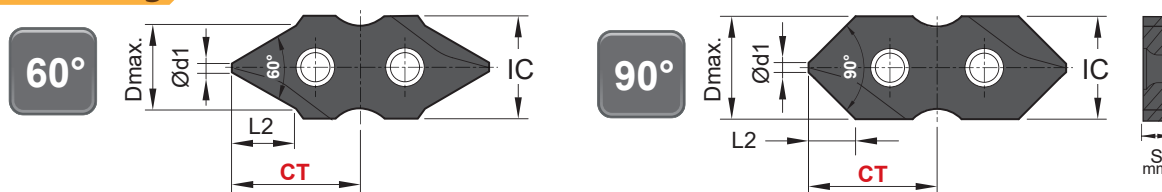
- Each insert has 2 cutting edges.
- NC2057: Universal grade for all kind of steel. can drill with minimum quantity lubrication (MQL)



Spotting

IC	Angle	Parts No.	Coating	Grade	Ød1	L1	L2	Dmax.	Tmax.	S	CT ±0.025
08	60°	S9MT0802-060-NC2057	AL(L)	P35	1.6	0.46	6.0	8	6.0	2.4	10
	90°	S9MT0802-090-NC2057			1.6	0.46	3.6	8	3.6		
	120°	S9MT0802-120-NC2057			-	-	2.3	8	2.3		
10	60°	S9MT1003-060-NC2057			2	0.58	7.5	10	7.5	3.0	12.50
	90°	S9MT1003-090-NC2057			2	0.58	4.6	10	4.6		
	120°	S9MT1003-120-NC2057			-	-	2.9	10	2.9		
12	60°	S9MT1203-060-NC2057			2.4	0.69	9.0	12	9.0	3.0	15
	90°	S9MT1203-090-NC2057			2.4	0.69	5.5	12	5.5		
	120°	S9MT1203-120-NC2057			-	-	3.5	12	3.5		
16	60°	S9MT1603-060-NC2057			3.2	0.92	12	16	12	3.18	16
	90°	S9MT1603-090-NC2057			3.2	0.92	7.3	16	7.3		
	120°	S9MT1603-120-NC2057			-	-	4.6	16	4.6		
20	60°	S9MT2004-060-NC2057	4.0	1.16	15	20	15	4.76	20		
	90°	S9MT2004-090-NC2057	4.0	1.16	9.2	20	9.2				
	120°	S9MT2004-120-NC2057	-	-	5.8	20	5.8				

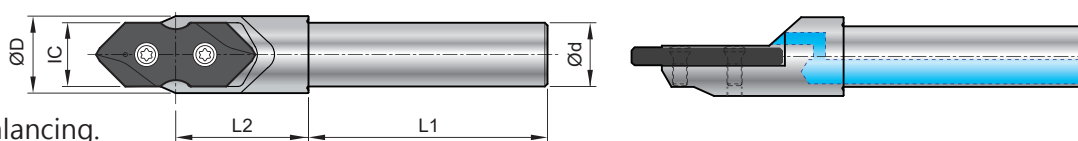
Chamfering



IC	Angle	Parts No.	Coating	Grade	Ød1	L2	Dmax.	S	CT ±0.025
08	60°	S9MT0802-D060-NC2057	AL(L)	P35	0.5	5	6.27	2.4	10
	90°	S9MT0802-D090-NC2057			0.5	3.75	8		

► Holder

- Internal coolant, optimized coolant design for better balancing.



IC	Parts No.	Ød	L1	L2	ØD	Screw	key
08	99688-SI08-08	8	36	19	10.5	NS-20045 / 0.6Nm	NK-T6
10	99688-SI10-10	10	40	22.5	13	NS-25060 / 0.9Nm	NK-T7
12	99688-SI12-12	12	45	25	15.5	NS-30072 / 2.0Nm	NK-T9
16	99688-SI16-16	16	48	32	21	NS-35080 / 2.5Nm	NK-T15
20	99688-SI20-20	20	50	35	26	NS-50125 / 5.5Nm	NK-T20